

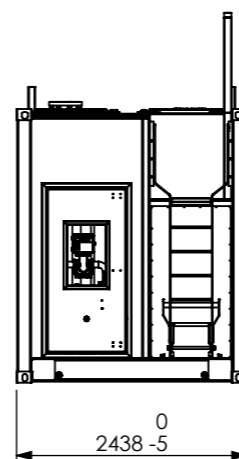
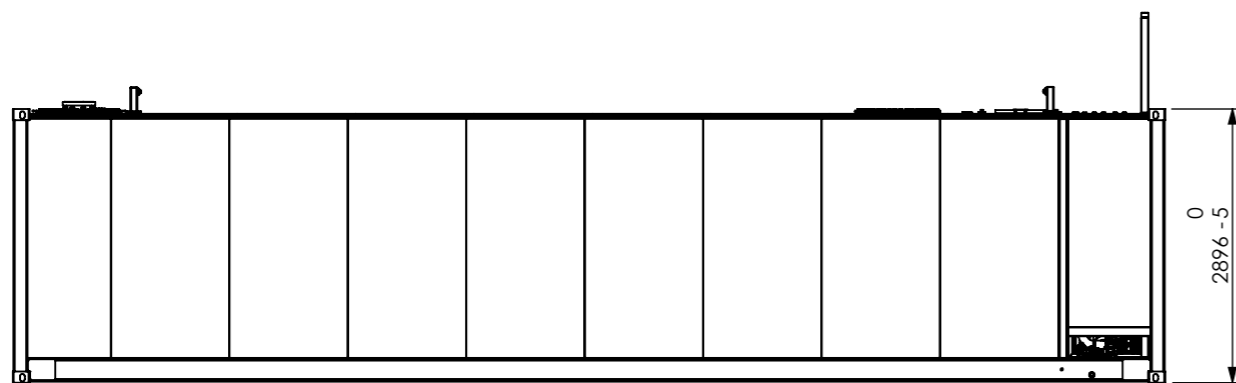
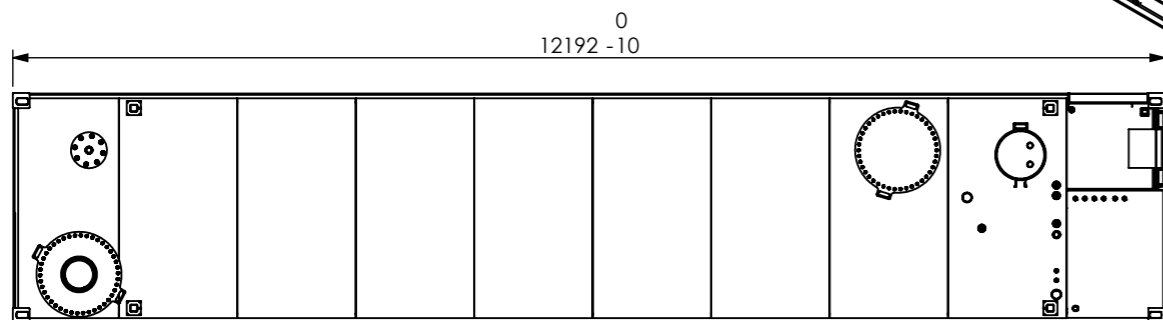
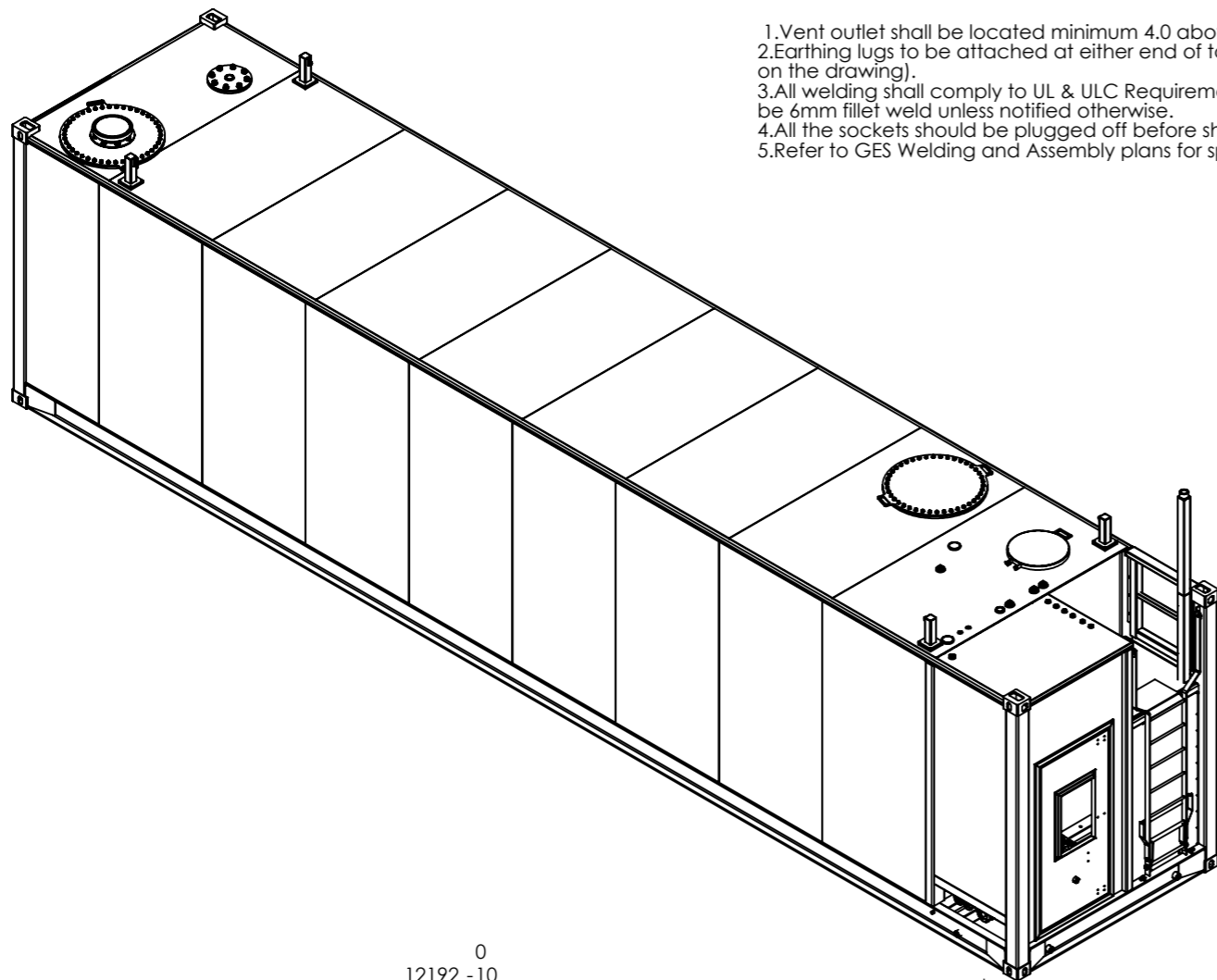
DO NOT SCALE FROM DRAWING. IF IN DOUBT: ASK

UNLESS OTHERWISE SPECIFIED, ALL DIMENSIONS ARE IN MILLIMETRES

BEWARE OF 100mm MEASURING ERROR

NOTES:

1. Vent outlet shall be located minimum 4.0 above ground level
2. Earthing lugs to be attached at either end of tank (not shown on the drawing).
3. All welding shall comply to UL & ULC Requirements. All unspecified welds shall be 6mm fillet weld unless notified otherwise.
4. All the sockets should be plugged off before shipping.
5. Refer to GES Welding and Assembly plans for specific directions



DESIGN DATA

TANK CONTENTS:	DIESEL/GASOLINE
DESIGNED TO:	UL142/ULC S601
BUILT TO:	UL142/ULC S601 : SANS 10131
TESTED TO	UL142/ULC S601 : SANS 10131
PRIMARY SHELL THICKNESS	6MM
SECONDARY SHELL THICKNESS	6MM
FREE VENT SIZE	3 "
EMERGENCY VENT SIZE	10"
GROSS VOLUME:	68,750L/G
HYD. TEST PRESSURE:	35 kPa
SAFE FILL LEVEL	65,312L
COLOUR	WHITE
TOTAL MASS:	13,100 kg

TANK SPECIFICATION

PAIN T SPEC	JOTUN BARRIER 80 PRIMER, PENGUARD EXPRESS MIDDLE COAT, HARDTOP AS TOP COAT
OVERFILL PROTECTION VALVE	HIGH FLOW 1600 LPM FAILSAFE FITTED
HOSE MAST	RIGHT SIDE ONLY
DOORS	FRONT AND RIGHT SIDE OF TANK
LADDER	GALVANIZED SWING TYPE
SLOPING FLOOR	STD
OVERFILL ALARM	REMOTE MOUNTED AUDIBLE AND VISUAL
DECALS	STD UL DECALS FITTED
FASTENERS	STAINLESS STEEL STD



COPYRIGHT © 2014
THE CONTENTS OF THIS DRAWING
REMAINS THE PROPERTY OF
GLOBAL ENGINEERING SOLUTIONS.
CONTENTS MAY NOT BE
COPIED OR REPRODUCED UNLESS
PREVIOUSLY AUTHORISED



Regus Shui On 2/F
Shui On Centre
6-8 Harbour Road
Wanchai Hong Kong

TITLE: TOS-40FT

DRAWN BY: S.lowrie

SHEET 1 OF 9

DATE: 2014.4.19

SCALE: N.T.S.

CUSTOMER: GES

TOLERANCE U.N.O.
0 = +1.0
0.0 = +0.4
0.00 = +0.1

DWG NO. / PART NO.
TOS-40FT-ESKOM

SHEET SIZE
A3

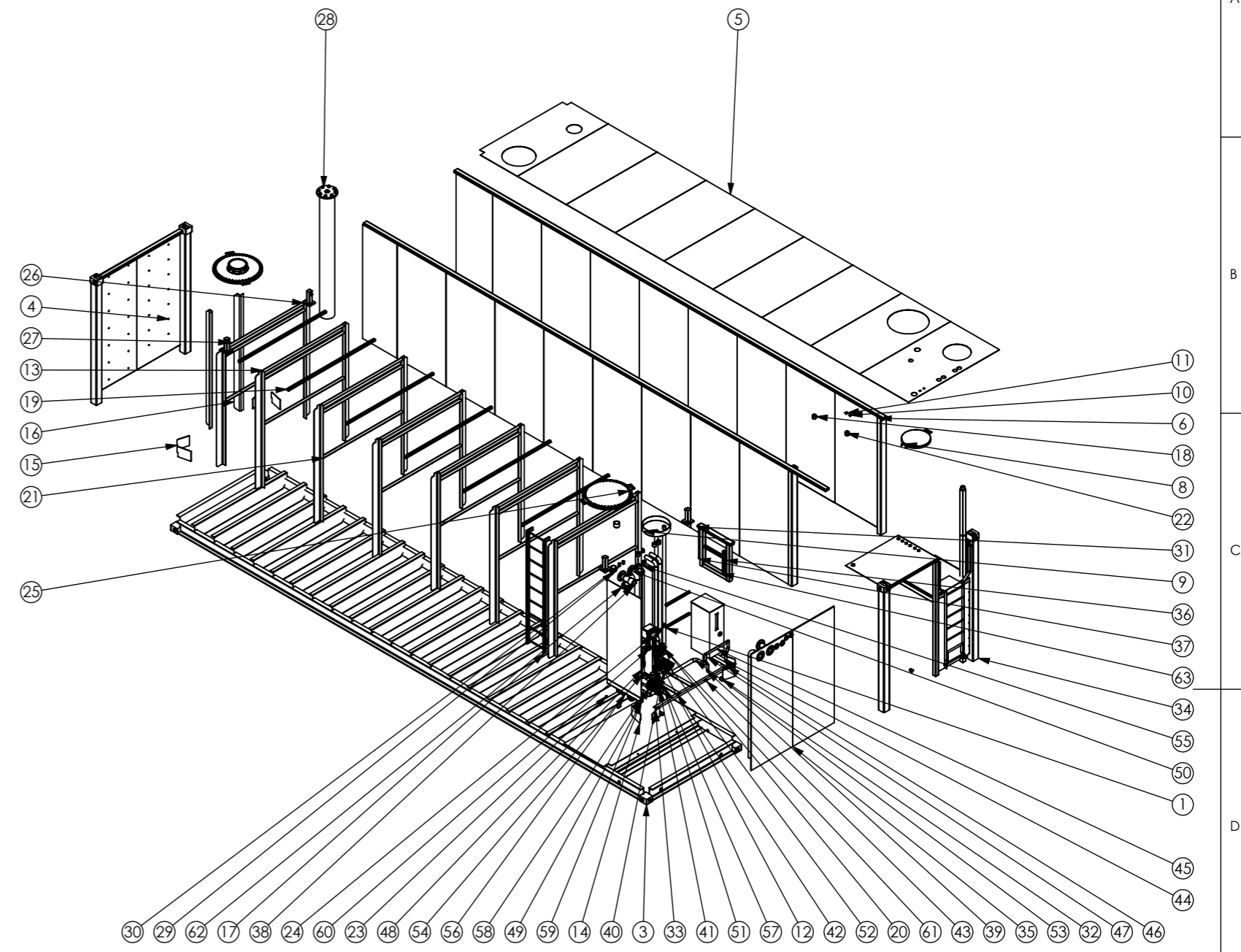
WEIGHT: 13101.64 Kg

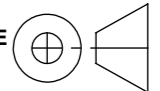
MATERIAL:

REVISION
1

DO NOT SCALE FROM DRAWING. IF IN DOUBT: ASK UNLESS OTHERWISE SPECIFIED, ALL DIMENSIONS ARE IN MILLIMETRES BEWARE OF 100mm MEASURING ERROR

ITEM	JOB	PART	DESCRIPTION	MATERIAL	LENGTH	QTY.
1	TOS-40FT	a1000_st	Unistrut Bracket			2
2	TOS-40FT	LSB-68-SKETCH-AFDEskom Custom	SKETCH			1
3	TOS-40FT	TOS-40FT-01-AFDEskom Custom	BASE FRAME ASSEMBLY底座组件	Refer To Sub-assembly		1
4	TOS-40FT	LSB-68-05-AFDEskom Custom	Rear Frame Assembly后端组件	Refer To Sub-assembly		1
5	TOS-40FT	LSB-68-03-AFDEskom Custom	Roof Plate Assem	Refer To Sub-assembly		1
6	TOS-40FT	LSB-68-04-AFDEskom Custom	Side Wall Assem	Refer To Sub-assembly		1
7	TOS-40FT	LSB-68-02-AFDEskom Custom	FRONT FRAME ASSEMBLY前端组件	Refer To Sub-assembly		1
8	TOS-40FT	T-STD-A022-AFDEskom Custom	SPILLBOX COVER ASSEMBLY	Refer To Sub-assembly		1
9	TOS-40FT	T-STD-A023-AFDEskom Custom	SPILLBOX ASSEMBLY观察窗组件			1
10	TOS-40FT	T-STD-P034-M-AFDEskom Custom	Spillbox cover fixment	5mm PLATE - Q235		1
11	TOS-40FT	T-STD-P034-AFDEskom Custom	Spillbox cover fixment	5mm PLATE - Q235		1
12	TOS-40FT	T-STD-A027-AFDEskom Custom	DIPSTICK PIPE ASSEMBLY量油尺管道组件	Refer to sub-assembly		1
13	TOS-40FT	T-STD-F039-AFDEskom Custom	TOP BRACE顶横梁支持件	4mm PLATE - Q235	2060mm	7
14	TOS-40FT	T-68-P046-AFDEskom Custom	BASE BRACKET	6mm PLATE - Q235		4
15	TOS-40FT	T-68-P047-AFDEskom Custom	BASE BRACKET	6mm PLATE - Q235		4
16	TOS-40FT	T-STD-B012-AFDEskom Custom	WALL STIFINER侧板加强筋	6mm PLATE - Q235		16
17	TOS-40FT	T-STD-A006-AFDEskom Custom	INSIDE LADDER内梯			1
18	TOS-40FT	T-STD-XC02-AFDEskom Custom	2" NPT PIPE SOCKET 2寸美标内丝接头	PURCHASED PART		5
19	TOS-40FT	T-STD-F040-AFDEskom Custom	ROOF STIFENER顶板加强方管	40X40X3mm SHS - Q345	2000mm	6
20	TOS-40FT	T-STD-A008-AFDEskom Custom	INTERSTITIAL VENT PIPE隔层试气管组件	Refer To Sub-assembly		1
21	TOS-40FT	T-STD-B011-AFDEskom Custom	INTERMEDIATE BRACE中层加强筋	6mm PLATE - Q235	2060mm	7
22	TOS-40FT	T-STD-XP02-AFDEskom Custom	2" NPT PLUG 2寸美标堵头	STAINLESS STEEL-304		5
23	TOS-40FT	T-STD-F011-AFDEskom Custom	EARTH PLUG接地	24mm A3	24mm	2
24	TOS-40FT	T-STD-P079-AFDEskom Custom	Inlet pipe braket-1	10mm PLATE - Q235		1
25	TOS-40FT	T-STD-UL ManwayEskom Custom	UL SPEC MANWAY ASSEM	Refer To Sub-assembly		2
26	TOS-40FT	Static Line Mounting PlatesEskom Custom	Static Mounting Plate	mm PLATE - Q235	+3mm	4
27	TOS-40FT	Static Line MountsEskom Custom	Static Mounts	mm PLATE - Q235	+3mm	4
28	TOS-40FT	Ul Spec EventEskom Custom	10 INCH EMERGENCY INTERSTITIAL VENT 10寸夹层安全阀管道组件	Refer To Sub-assembly		1
29	TOS-40FT	T-STD-XC03-AFDEskom Custom	3" BSPP PIPE SOCKET	PURCHASED PART		2
30	TOS-40FT	T-STD-XC01-AFDEskom Custom	1" NPT PIPE SOCKET 1寸美标内丝接头	PURCHASED PART		2
31	TOS-40FT	T-68-P050-AFDEskom Custom	ROOF BEAM COVER顶侧梁方管封板	6mm PLATE - Q235		1
32	TOS-40FT	DN40 SOG-150lb-STL	SOCKET - 150lb BSP - DN40	STEEL		4
33	TOS-40FT	Bund Angle Mountng Frame	Bundling Mounting Angle Frame	mm PLATE - Q235	+3mm	1
34	TOS-40FT	TOS-STD-A111Eskom Custom	NEW STYLE FRONT FRAME ASSEM	Refer To Sub-assembly		1
35	TOS-40FT	TOS-STD-A112Eskom Custom	FRONT WALL ASSEMBLY	Refer To Sub-assembly		1
36	TOS-40FT	Side Wall BraceEskom Custom	Side Wall BraceEskom Custom	mm PLATE - Q235	+3mm	1
37	TOS-40FT	Copy of Copy of Copy (2) of Assem3\TOS-40FT-00-AFDEskom Custom	Ladder Mounting Bracket	6mm PLATE - Q235		1
38	TOS-40FT	New Style VMI ValveEskom Custom	3 Inch Over Fill Valve	mm PLATE - Q235	+3mm	1
39	TOS-40FT	Ladder BraceEskom Custom	Ladder BraceEskom Custom	mm PLATE - Q235	+3mm	1
40	TOS-40FT	User Library-ISO 65 x 50 - 160 Centrifugal Pump	User Library-ISO 65 x 50 - 160 Centrifugal Pump	PURCHASED PART		1
41	TOS-40FT	80NB Ball ValveEskom Custom	80NB Ball ValveEskom Custom	PURCHASED PART		2
42	TOS-40FT	Pump Mount 1	Pump Mount 1	mm PLATE - Q235	+3mm	3
43	TOS-40FT	Ladder Mounting Plate	Ladder Mounting Plate	mm PLATE - Q235	+3mm	2
44	TOS-40FT	Ladder Support Brace 2	Ladder Support Brace 2	mm PLATE - Q235	+3mm	1
45	TOS-40FT	Ladder Support Brace	Ladder Support Brace	mm PLATE - Q235	+3mm	1
46	TOS-40FT	Ladder Mounting Bar	Ladder Mounting Bar	mm PLATE - Q235	+3mm	2
47	TOS-40FT	95EU White Pump	Dispenser	PURCHASED PART		1
48	TOS-40FT	Discharge Line Spool 2	Spool Pipe	Carbon Steel		1
49	TOS-40FT	FNW682M	Cast Iron Wafer Style Double Door Check Valve	316 S/S		1
50	TOS-40FT	Discharge Spool 1	Spool Pipe	Carbon Steel		1
51	TOS-40FT	Fill Pipe Spool 3	Spool Pipe	Carbon Steel		1
52	TOS-40FT	2 Inch Flanged Ball Valve ANSI	2 Inch Flanged Ball Valve	PURCHASED PART		3
53	TOS-40FT	Dispenser Supply Line Spool	Spool Pipe	Carbon Steel		1
54	TOS-40FT	Generator Supply Line Spool 2	Spool Pipe	Carbon Steel		1
55	TOS-40FT	Generator Supply Line Spool 1	Spool Pipe	Carbon Steel		1
56	TOS-40FT	1 Inch Flanged Ball Valve Ansi	1 Inch Flanged Ball Valve Ansi	PURCHASED PART		2
57	TOS-40FT	Generator Return Line Spool 1	Spool Pipe	Carbon Steel		1
58	TOS-40FT	LHS Bund Side Panel	6mm Plate	mm PLATE - Q235		1
59	TOS-40FT	LHS Bund RHS Support	100 x 50 RHS Support	mm PLATE - Q235		1
60	TOS-40FT	2 Inch PD Meter	PD Meter with Mechanical Register Head	PURCHASED PART		1
61	TOS-40FT	Fill Pipe Spool 2	Spool Pipe	Carbon Steel		1
62	TOS-40FT	Fill Pipe Meter to OFF	Spool Pipe	Carbon Steel		1
63	TOS-40FT	Support Brace Mounting Angle	Support Brace Angle Mount	mm PLATE - Q235	+3mm	1



THIRD ANGLE PROJECTION  COPYRIGHT © 2014 THE CONTENTS OF THIS DRAWING REMAINS THE PROPERTY OF GLOBAL ENGINEERING SOLUTIONS. CONTENTS MAY NOT BE COPIED OR REPRODUCED UNLESS PREVIOUSLY AUTHORISED

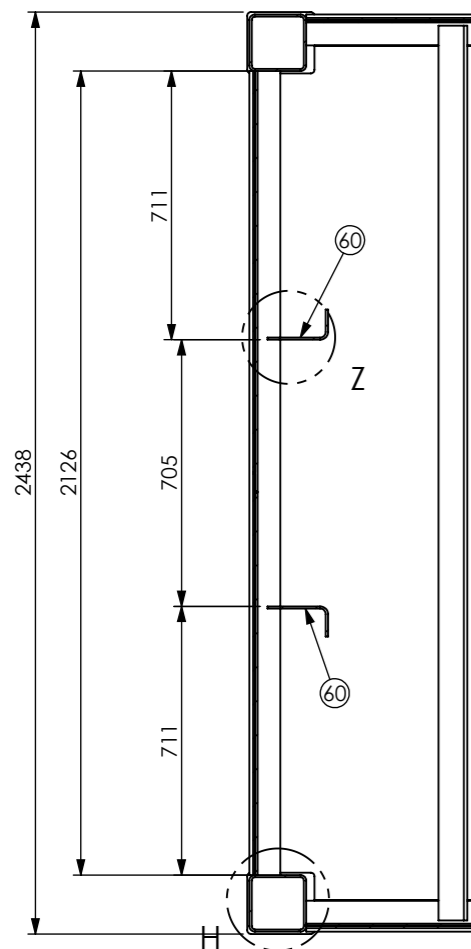
 Regus Shui On 2/F Shui On Centre 6-8 Harbour Road Wanchai Hong Kong

TITLE:	TOS-40FT
DRAWN BY:	S.lowie
DATE:	2014.4.19
CUSTOMER:	GES
DWG NO. / PART NO.	TOS-40FT-ESKOM
WEIGHT:	13101.64 Kg
MATERIAL:	
SHEET SIZE	A3
REVISION	1

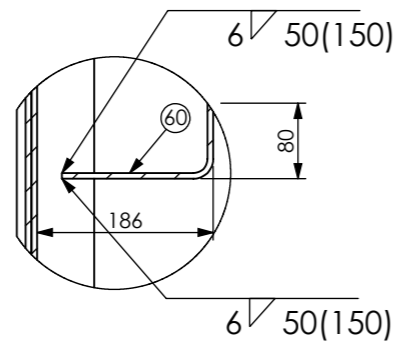
DO NOT SCALE FROM DRAWING. IF IN DOUBT: ASK

UNLESS OTHERWISE SPECIFIED, ALL DIMENSIONS ARE IN MILLIMETRES

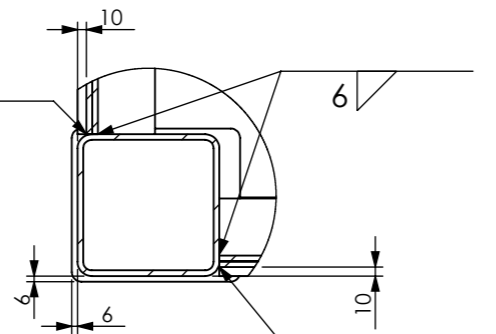
BEWARE OF 100mm MEASURING ERROR



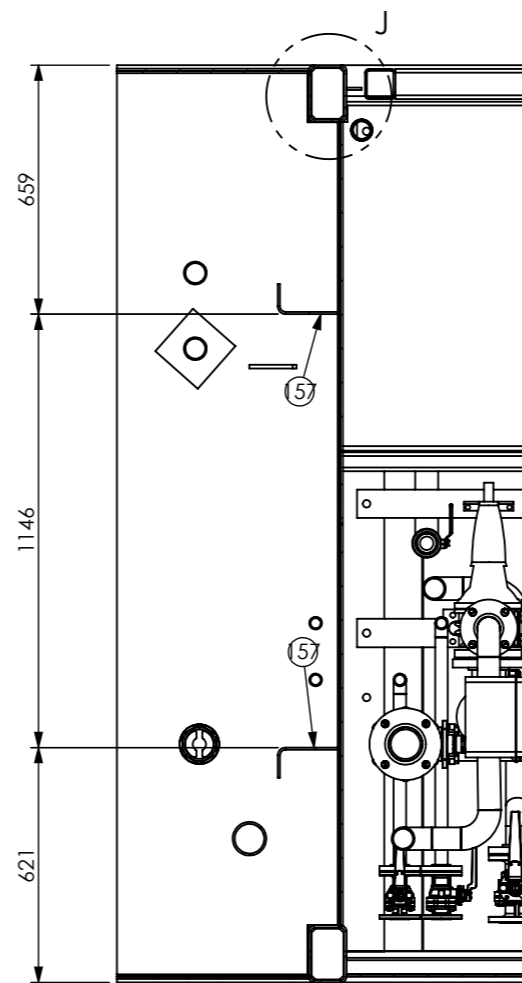
SECTION F-F



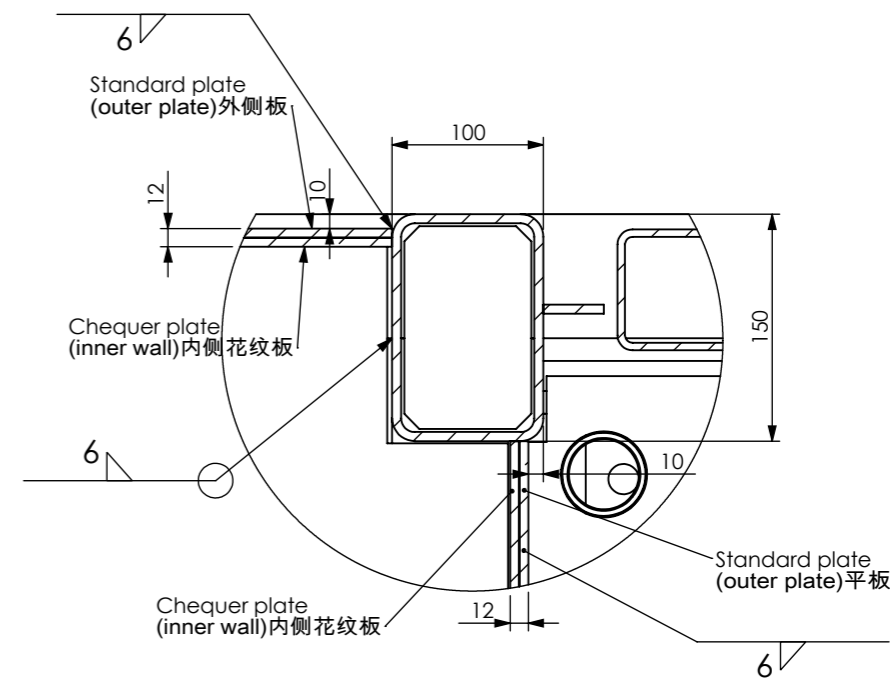
DETAIL Z



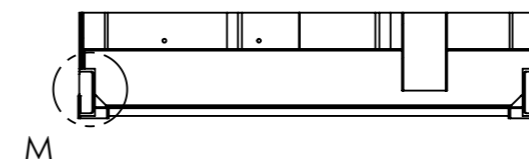
DETAIL H



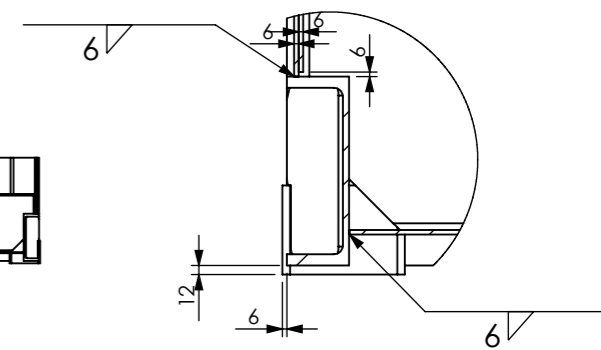
SECTION H-H



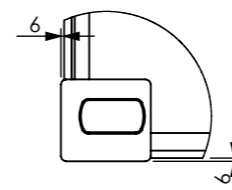
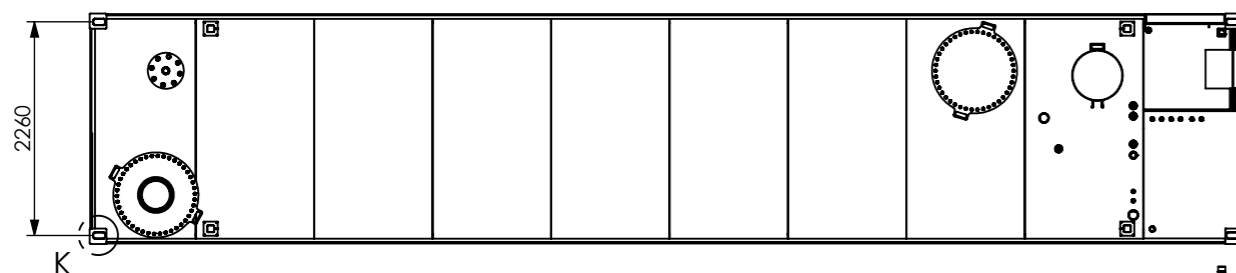
DETAIL J



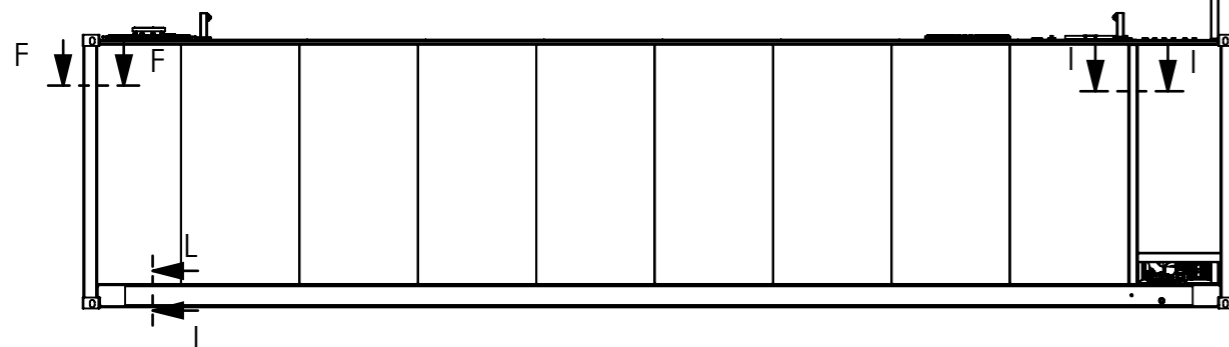
SECTION L-L



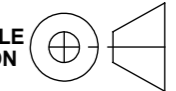
DETAIL M



DETAIL K



THIRD ANGLE PROJECTION



COPYRIGHT © 2014
 THE CONTENTS OF THIS DRAWING
 REMAINS THE PROPERTY OF
 GLOBAL ENGINEERING SOLUTIONS.
 CONTENTS MAY NOT BE
 COPIED OR REPRODUCED UNLESS
 PREVIOUSLY AUTHORISED



Regus Shui On 2/F
 Shui On Centre
 6-8 Harbour Road
 Wanchai Hong Kong

TITLE: TOS-40FT

DRAWN BY: S.lowrie

SHEET 3 OF 9

DATE: 2014.4.19

SCALE: N.T.S.

CUSTOMER: GES

TOLERANCE U.N.O.
 0 = +1.0
 0.0 = +0.4
 0.00 = +0.1

DWG NO. / PART NO.
TOS-40FT-ESKOM

SHEET SIZE
A3

WEIGHT: 13101.64 Kg

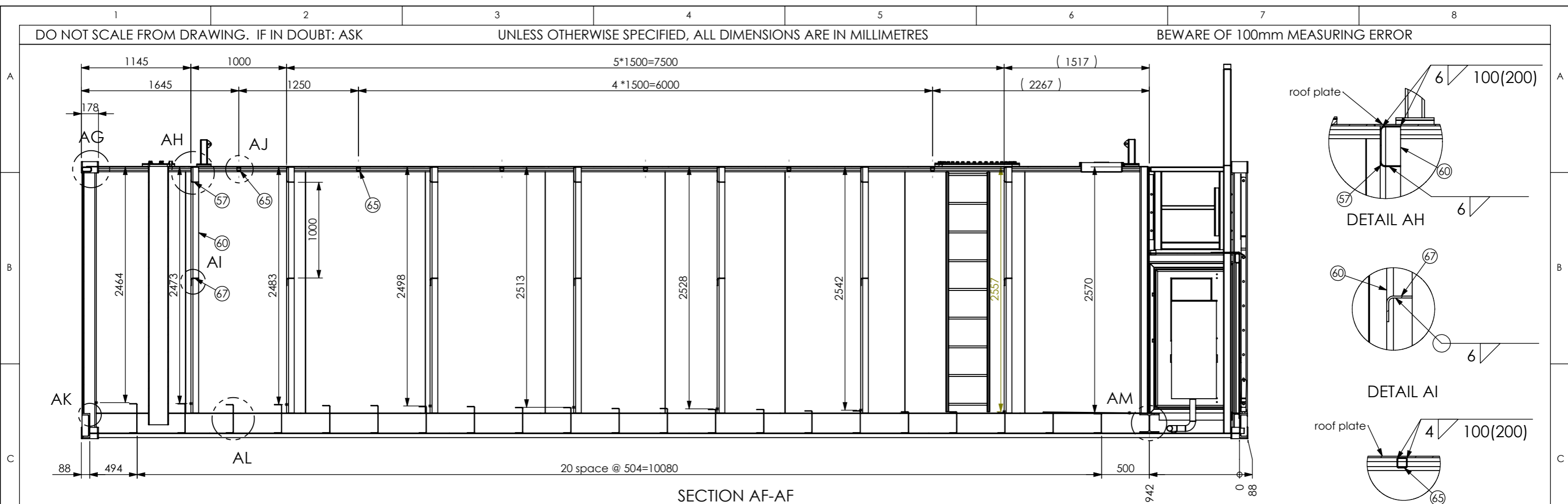
MATERIAL:

REVISION
1

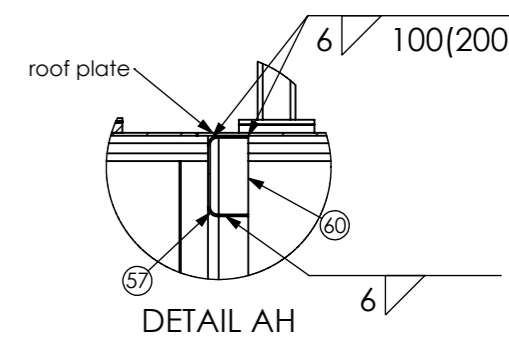
DO NOT SCALE FROM DRAWING. IF IN DOUBT: ASK

UNLESS OTHERWISE SPECIFIED, ALL DIMENSIONS ARE IN MILLIMETRES

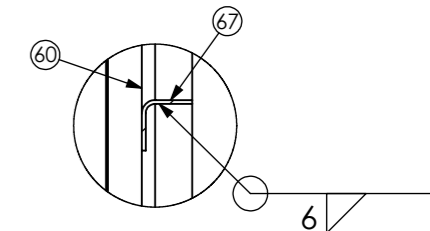
BEWARE OF 100mm MEASURING ERROR



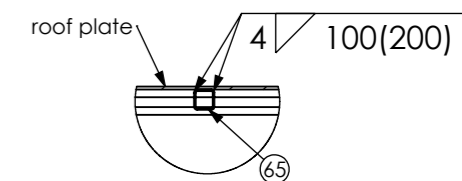
SECTION AF-AF



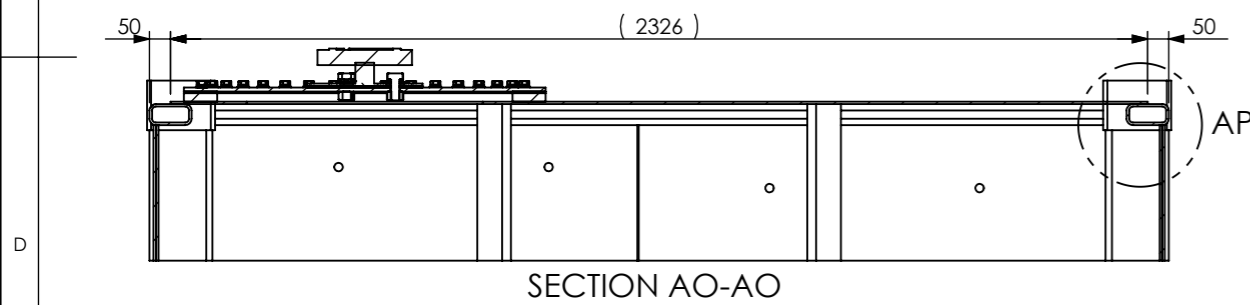
DETAIL AH



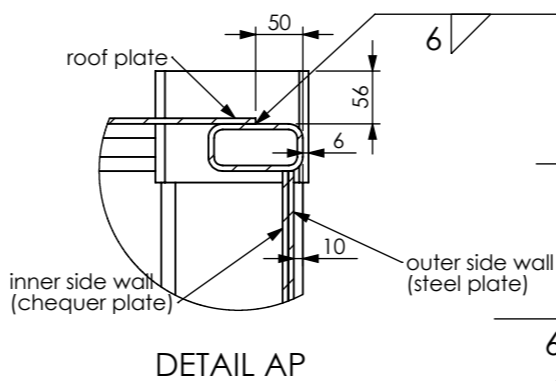
DETAIL AI



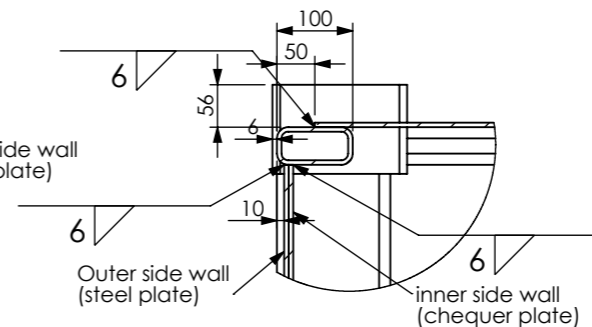
DETAIL AJ



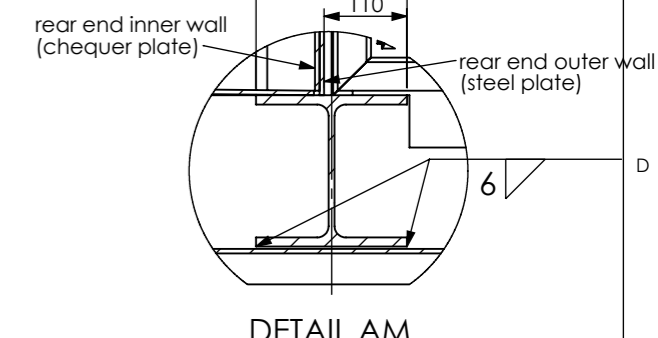
SECTION AO-AO



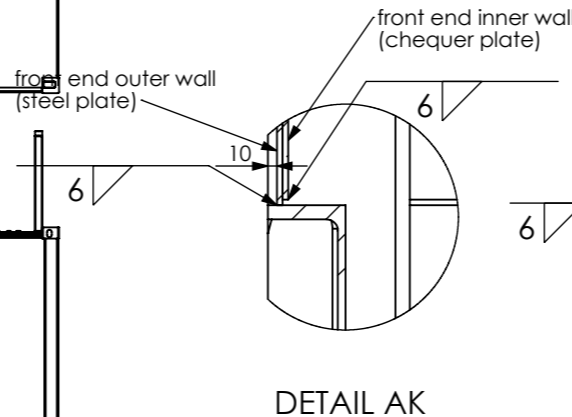
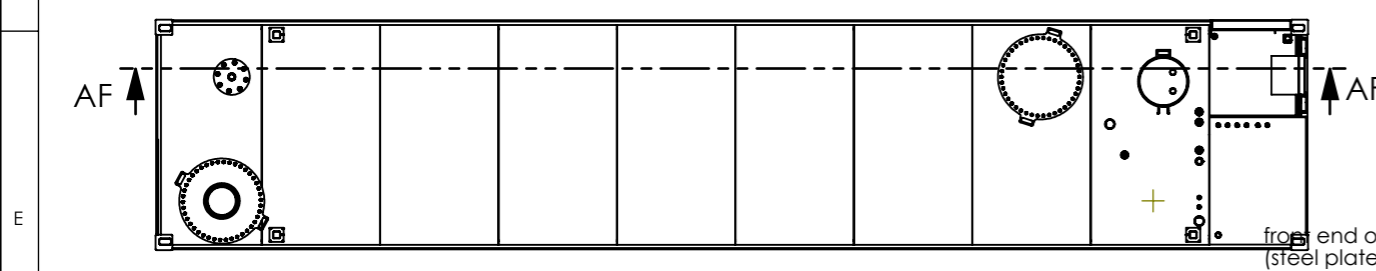
DETAIL AP



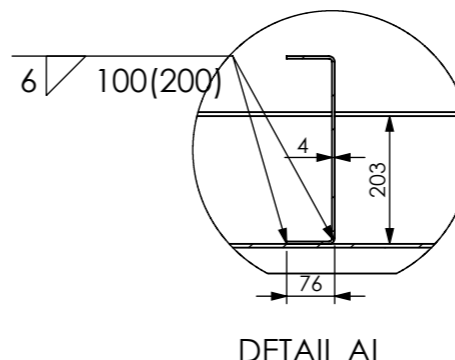
DETAIL AG



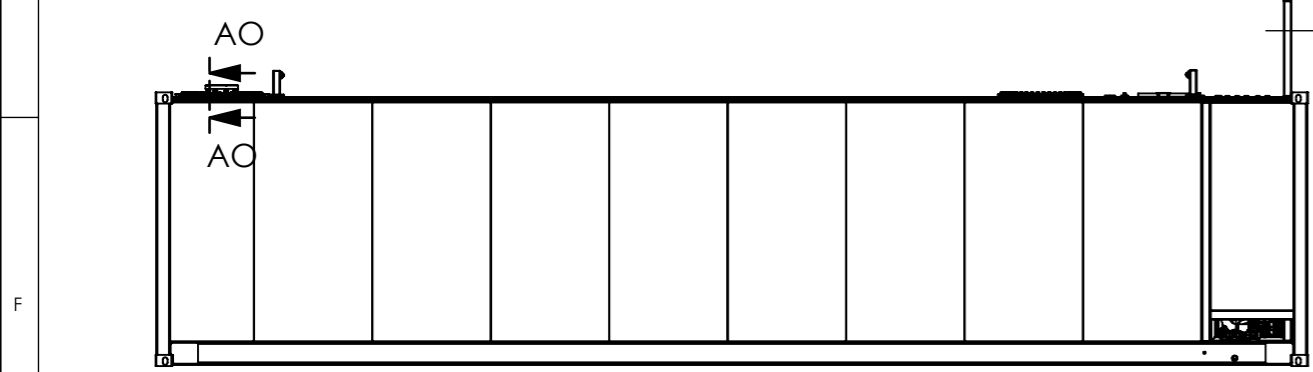
DETAIL AM



DETAIL AK



DETAIL AL



THIRD ANGLE PROJECTION

COPYRIGHT © 2014 THE CONTENTS OF THIS DRAWING REMAINS THE PROPERTY OF GLOBAL ENGINEERING SOLUTIONS. CONTENTS MAY NOT BE COPIED OR REPRODUCED UNLESS PREVIOUSLY AUTHORISED



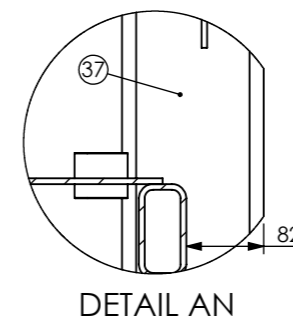
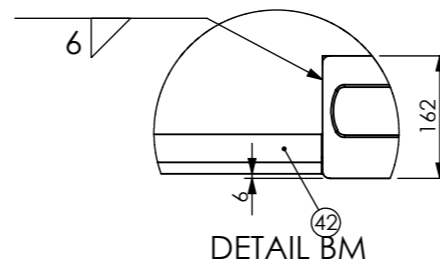
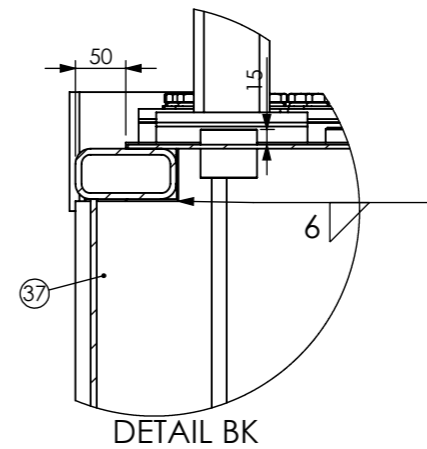
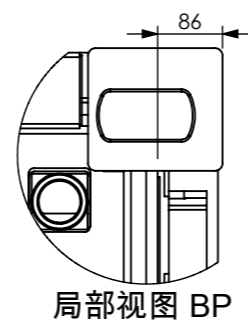
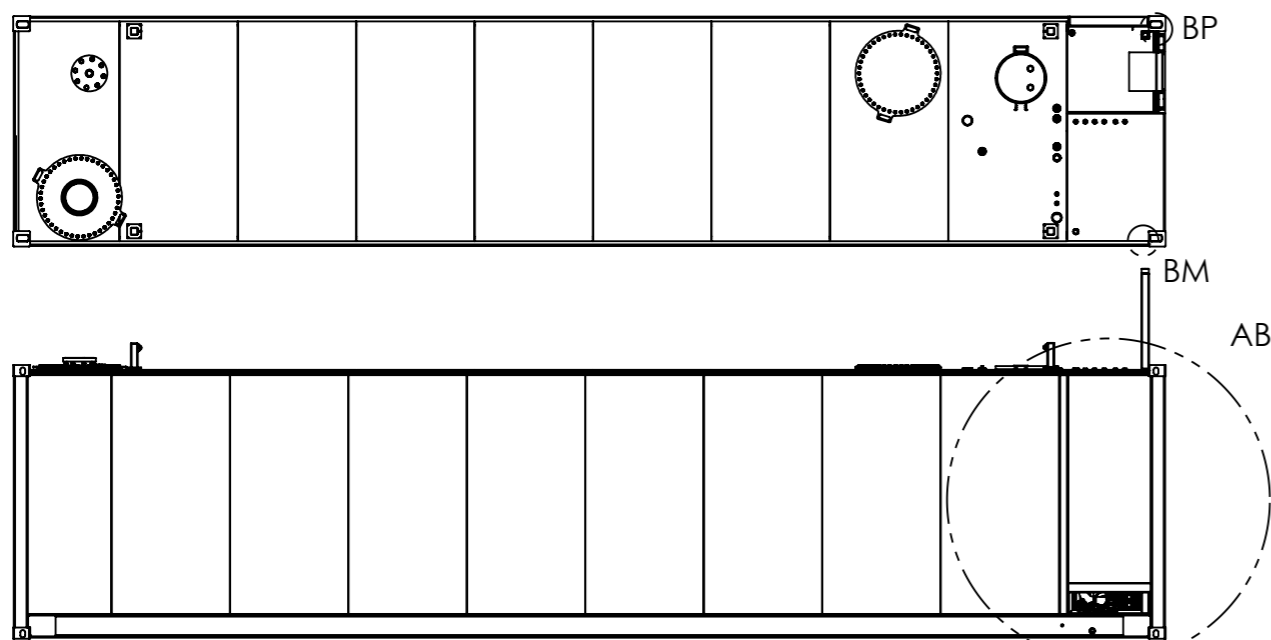
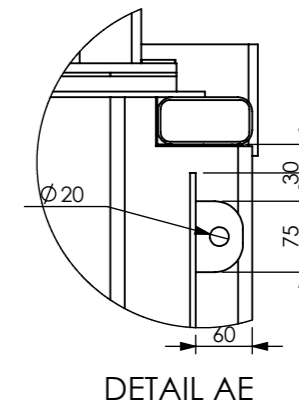
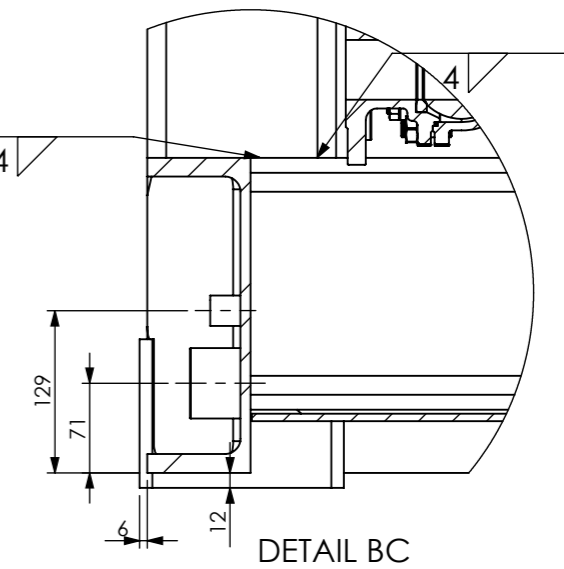
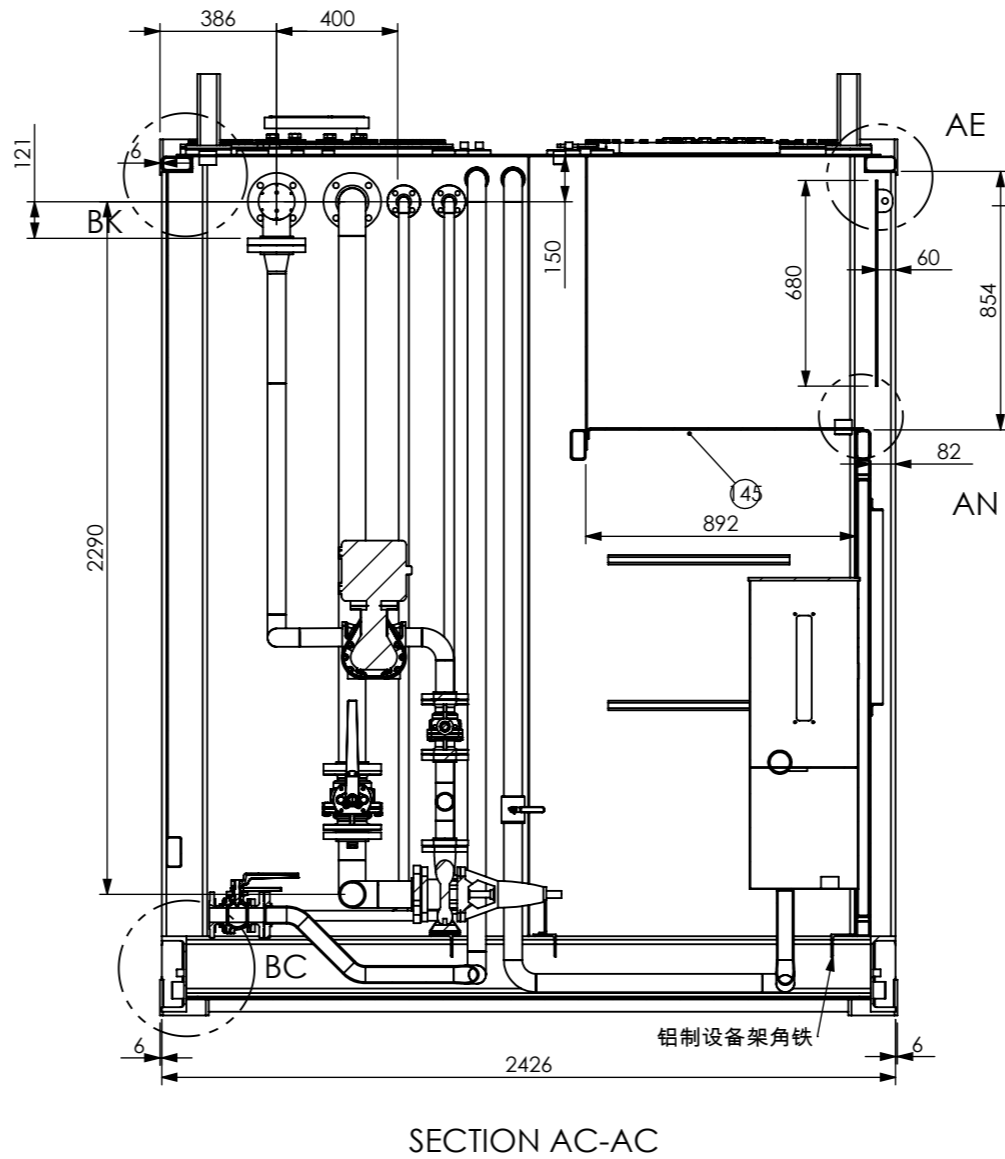
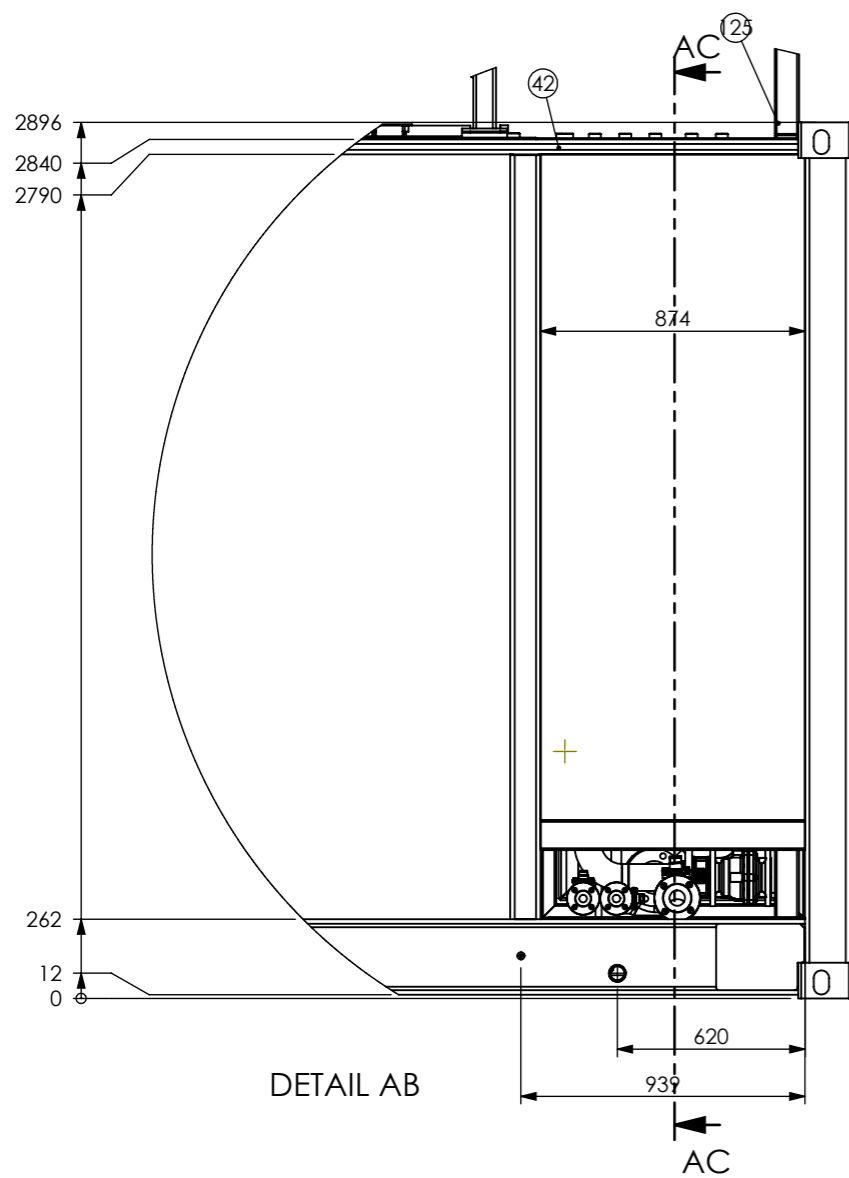
Regus Shui On 2/F Shui On Centre 6-8 Harbour Road Wanchai Hong Kong

TITLE: TOS-40FT	
DRAWN BY: S.Lowrie	SHEET 4 OF 9
DATE: 2014.4.19	SCALE: N.T.S.
CUSTOMER: GES	TOLERANCE U.N.O. 0 = +1.0 0.0 = +0.4 0.00 = +0.1
DWG NO. / PART NO. TOS-40FT-ESKOM	SHEET SIZE A3
WEIGHT: 13101.64 Kg	MATERIAL:
	REVISION 1

DO NOT SCALE FROM DRAWING. IF IN DOUBT: ASK

UNLESS OTHERWISE SPECIFIED, ALL DIMENSIONS ARE IN MILLIMETRES

BEWARE OF 100mm MEASURING ERROR



THIRD ANGLE PROJECTION

COPYRIGHT © 2014
THE CONTENTS OF THIS DRAWING
REMAINS THE PROPERTY OF
GLOBAL ENGINEERING SOLUTIONS.
CONTENTS MAY NOT BE
COPIED OR REPRODUCED UNLESS
PREVIOUSLY AUTHORISED



Regus Shui On 2/F
Shui On Centre
6-8 Harbour Road
Wanchai Hong Kong

TITLE: TOS-40FT

DRAWN BY: S.lowrie

SHEET 5 OF 9

DATE: 2014.4.19

SCALE: N.T.S.

CUSTOMER: GES

TOLERANCE U.N.O.
0 = +1.0
0.0 = +0.4
0.00 = +0.1

DWG NO. / PART NO.
TOS-40FT-ESKOM

SHEET SIZE
A3

WEIGHT: 13101.64 Kg

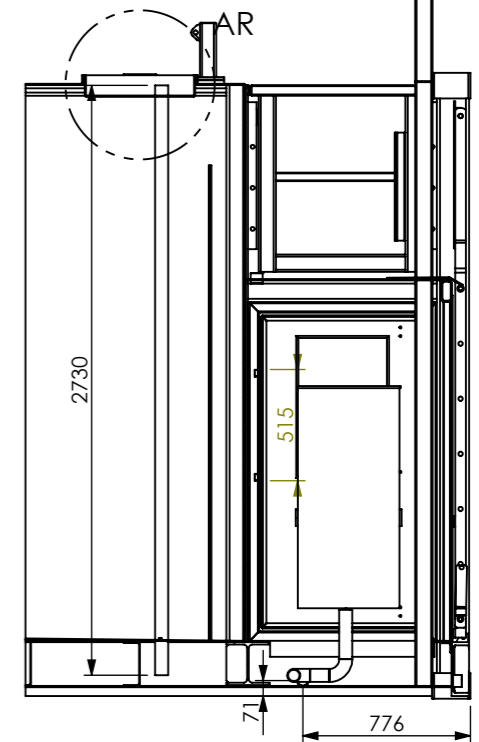
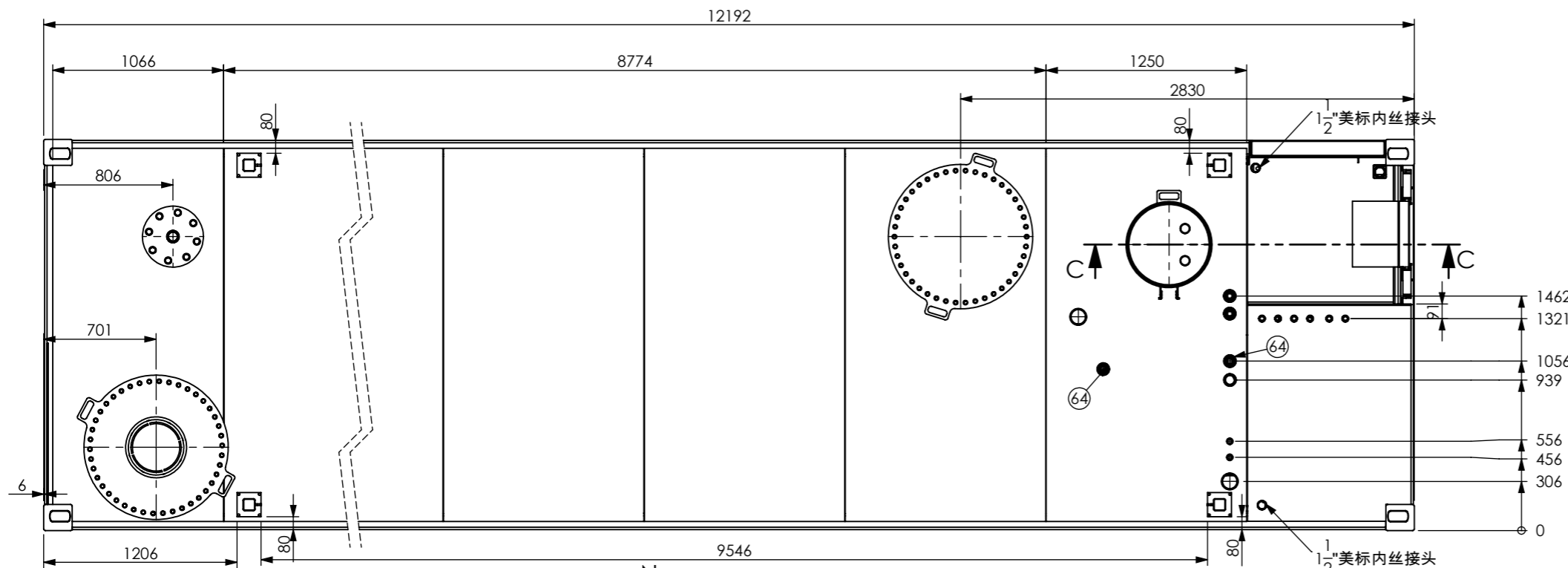
MATERIAL:

REVISION
1

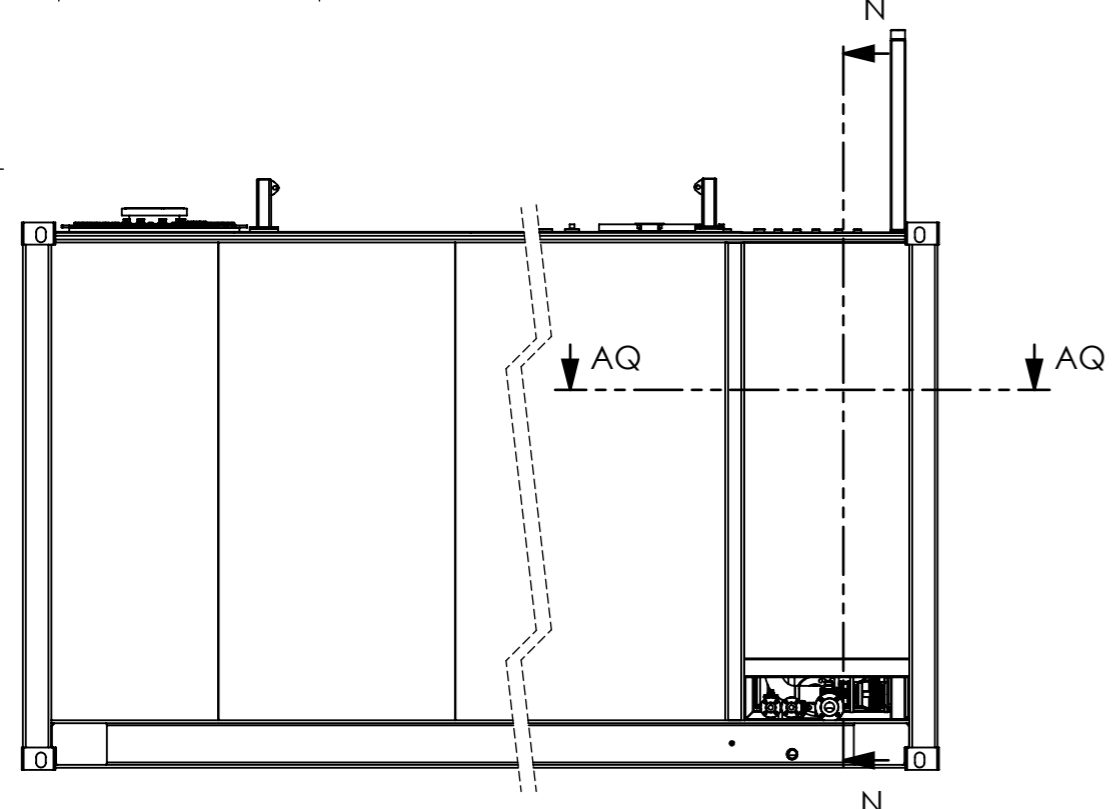
DO NOT SCALE FROM DRAWING. IF IN DOUBT: ASK

UNLESS OTHERWISE SPECIFIED, ALL DIMENSIONS ARE IN MILLIMETRES

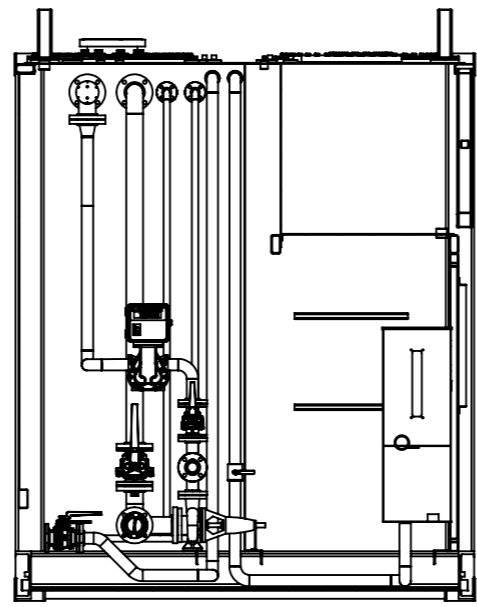
BEWARE OF 100mm MEASURING ERROR



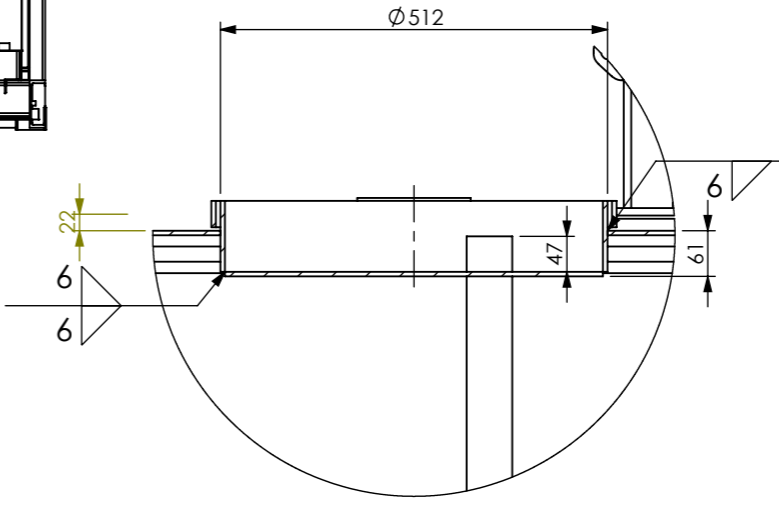
SECTION C-C



SECTION N-N



SECTION AQ-AQ



DETAIL AR

THIRD ANGLE PROJECTION

COPYRIGHT © 2014
THE CONTENTS OF THIS DRAWING
REMAINS THE PROPERTY OF
GLOBAL ENGINEERING SOLUTIONS.
CONTENTS MAY NOT BE
COPIED OR REPRODUCED UNLESS
PREVIOUSLY AUTHORISED



Regus Shui On 2/F
Shui On Centre
6-8 Harbour Road
Wanchai Hong Kong

TITLE: TOS-40FT

DRAWN BY: S.Lowrie

SHEET 6 OF 9

DATE: 2014.4.19

SCALE: N.T.S.

CUSTOMER: GES

TOLERANCE U.N.O.
0 = +1.0
0.0 = +0.4
0.00 = +0.1

DWG NO. / PART NO.
TOS-40FT-ESKOM

SHEET SIZE
A3

WEIGHT: 13101.64 Kg

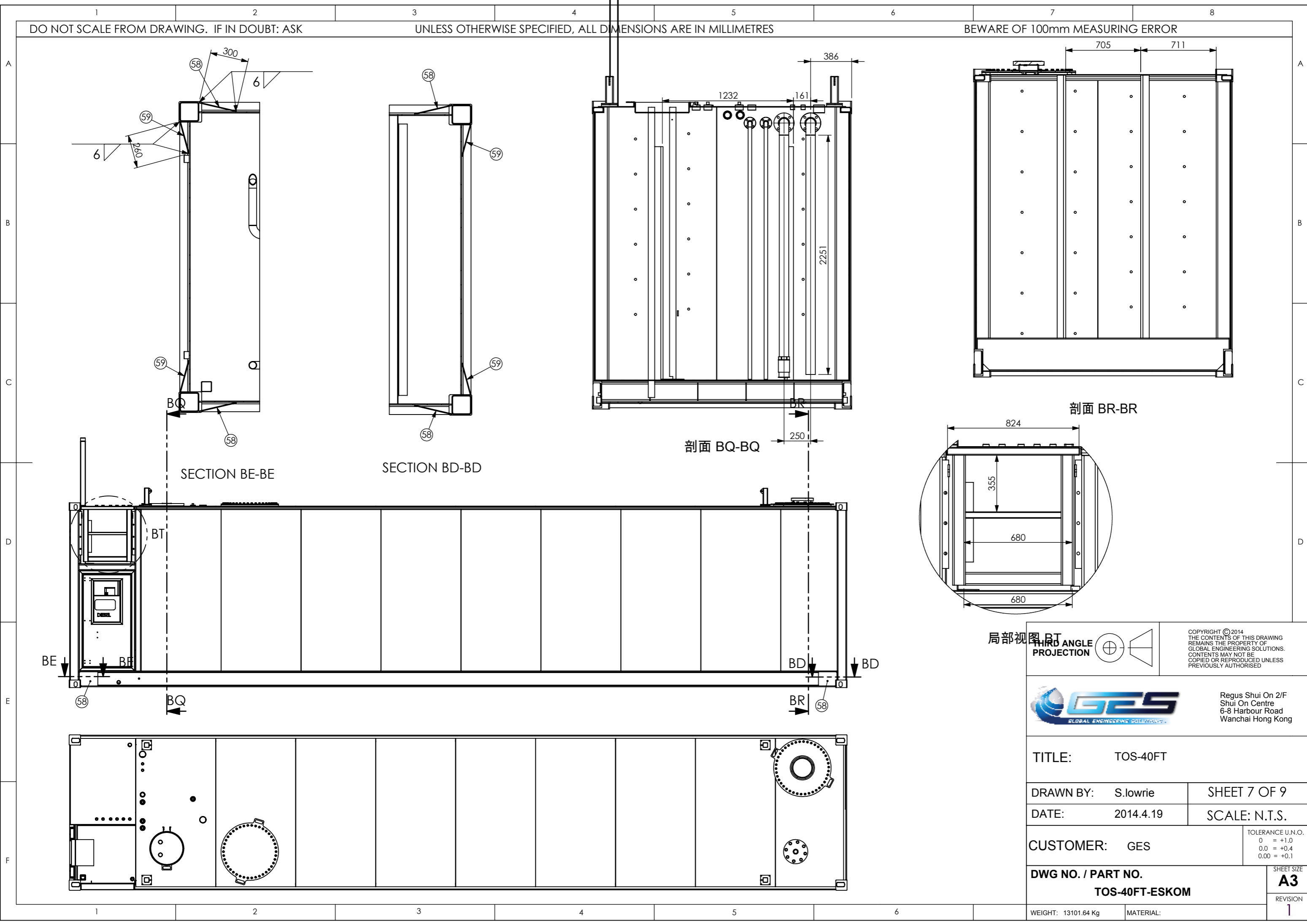
MATERIAL:

REVISION
1

DO NOT SCALE FROM DRAWING. IF IN DOUBT: ASK

UNLESS OTHERWISE SPECIFIED, ALL DIMENSIONS ARE IN MILLIMETRES

BEWARE OF 100mm MEASURING ERROR



局部视图 BT
 THIRD ANGLE
 PROJECTION

COPYRIGHT © 2014
 THE CONTENTS OF THIS DRAWING
 REMAINS THE PROPERTY OF
 GLOBAL ENGINEERING SOLUTIONS.
 CONTENTS MAY NOT BE
 COPIED OR REPRODUCED UNLESS
 PREVIOUSLY AUTHORISED



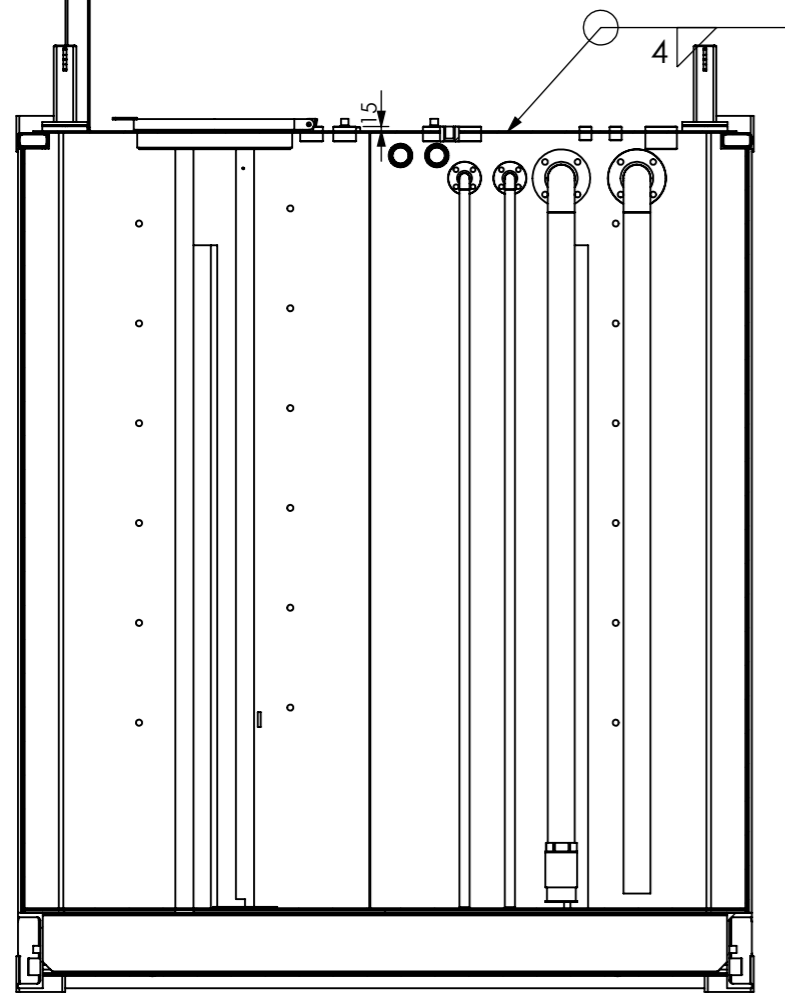
Regus Shui On 2/F
 Shui On Centre
 6-8 Harbour Road
 Wanchai Hong Kong

TITLE: TOS-40FT	
DRAWN BY: S.Lowrie	SHEET 7 OF 9
DATE: 2014.4.19	SCALE: N.T.S.
CUSTOMER: GES	TOLERANCE U.N.O. 0 = +1.0 0.0 = +0.4 0.00 = +0.1
DWG NO. / PART NO. TOS-40FT-ESKOM	SHEET SIZE A3
WEIGHT: 13101.64 Kg	MATERIAL:
	REVISION 1

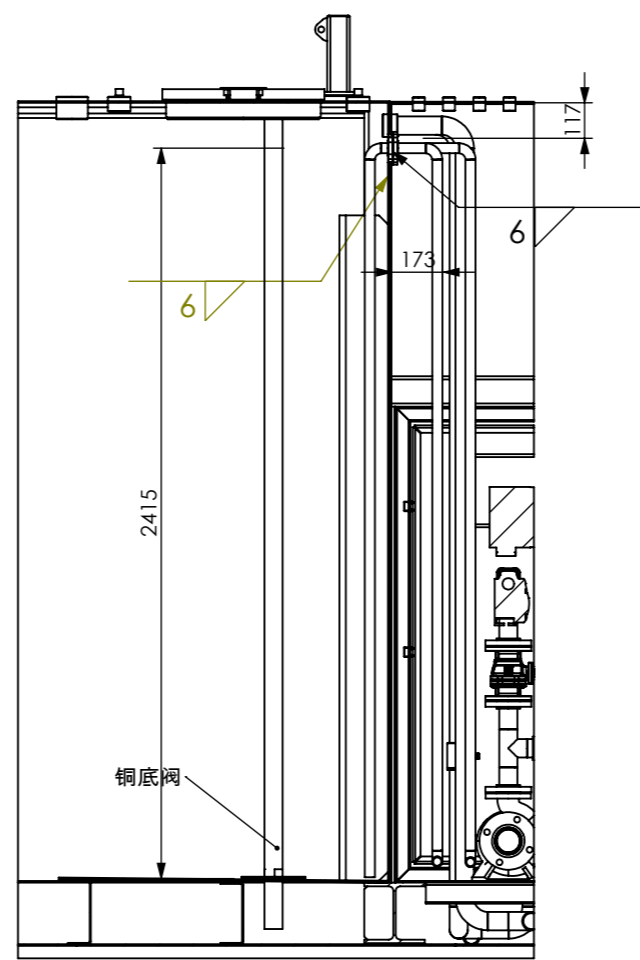
DO NOT SCALE FROM DRAWING. IF IN DOUBT: ASK

UNLESS OTHERWISE SPECIFIED, ALL DIMENSIONS ARE IN MILLIMETRES

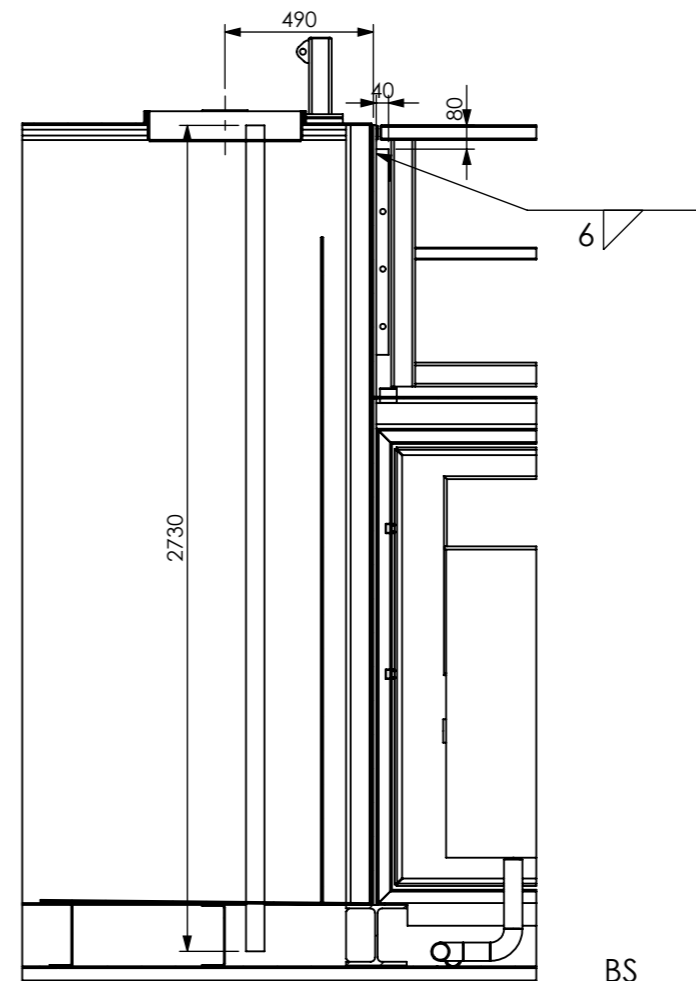
BEWARE OF 100mm MEASURING ERROR



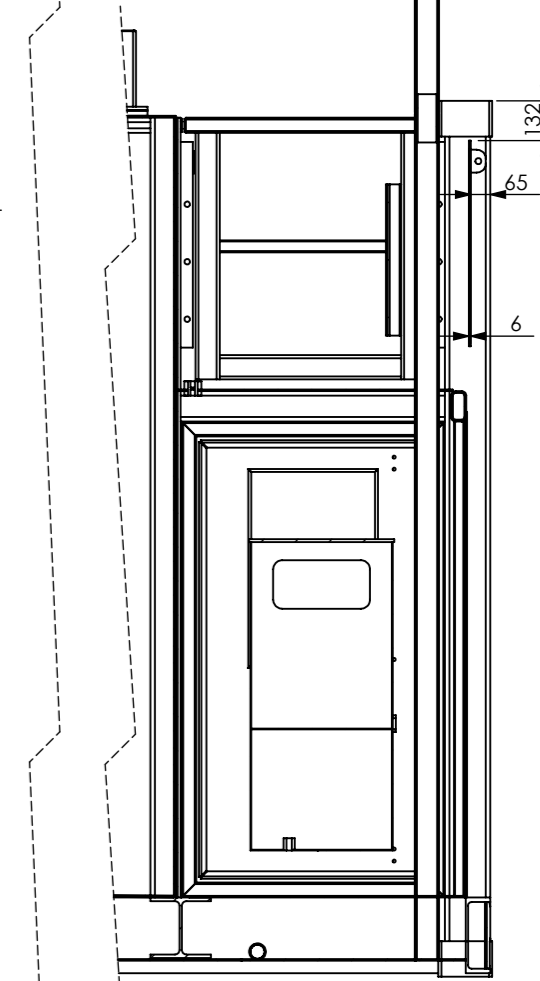
SECTION BN-BN



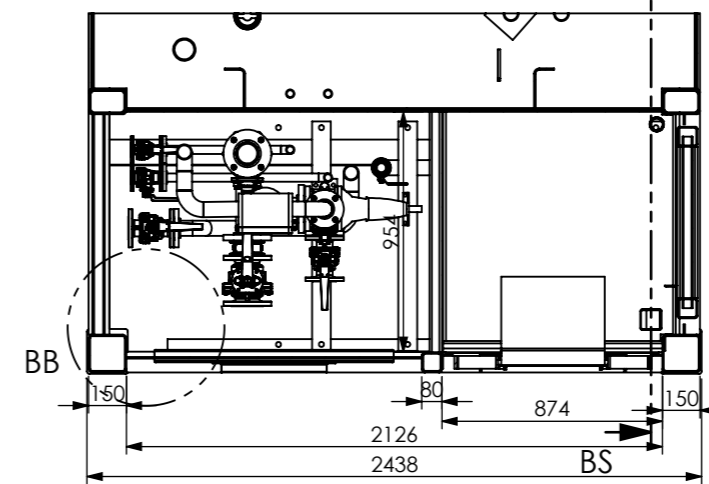
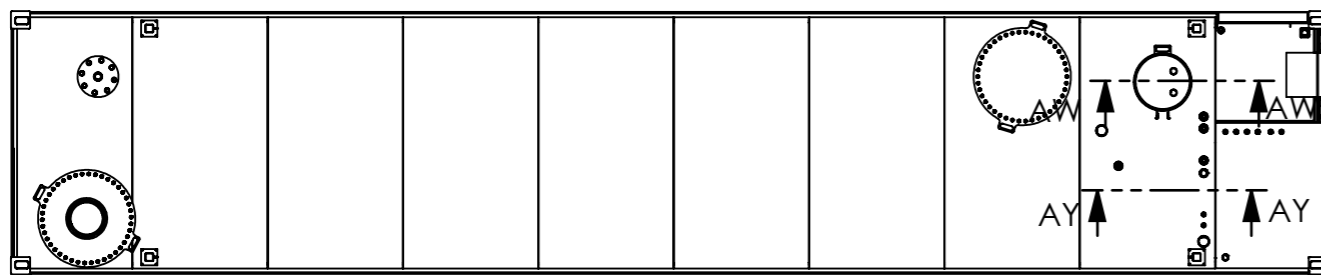
SECTION AY-AY



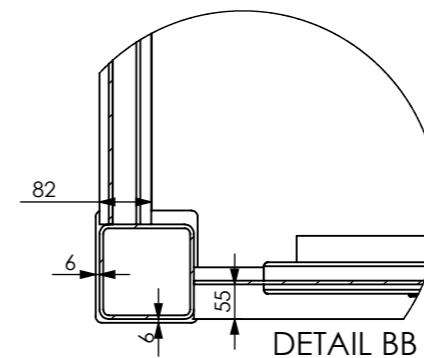
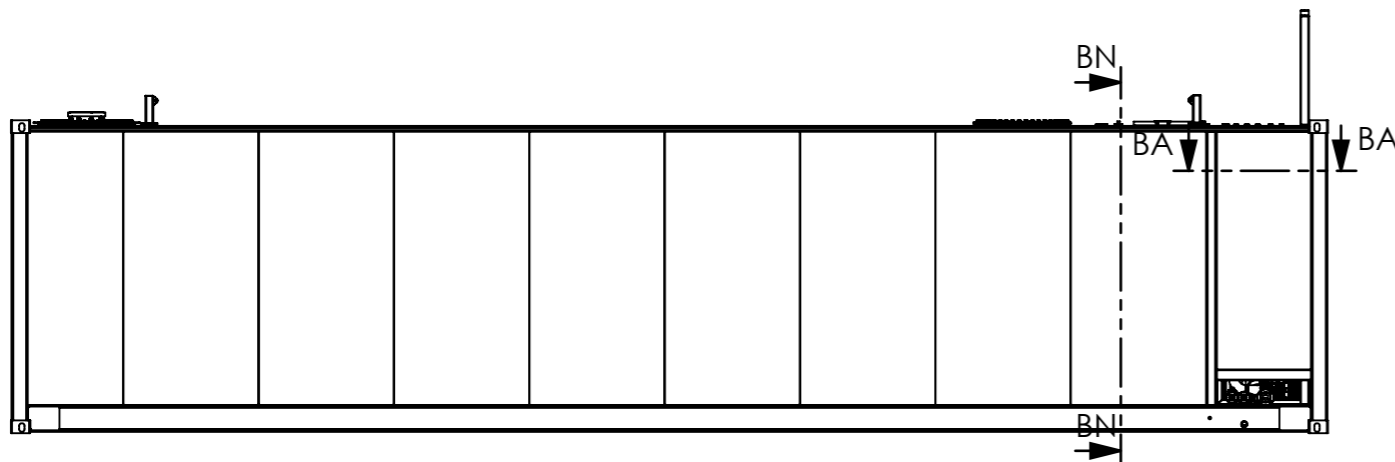
SECTION AW-AW



剖面 BS-BS



SECTION BA-BA



DETAIL BB

THIRD ANGLE PROJECTION

COPYRIGHT © 2014 THE CONTENTS OF THIS DRAWING REMAINS THE PROPERTY OF GLOBAL ENGINEERING SOLUTIONS. CONTENTS MAY NOT BE COPIED OR REPRODUCED UNLESS PREVIOUSLY AUTHORISED



Regus Shui On 2/F Shui On Centre 6-8 Harbour Road Wanchai Hong Kong

TITLE: TOS-40FT

DRAWN BY: S.lowrie

SHEET 8 OF 9

DATE: 4/12/2010

SCALE: N.T.S.

CUSTOMER: GES

TOLERANCE U.N.O.
0 = +1.0
0.0 = +0.4
0.00 = +0.1

DWG NO. / PART NO.
TOS-40FT-ESKOM

SHEET SIZE
A3

WEIGHT: 13101.64 Kg

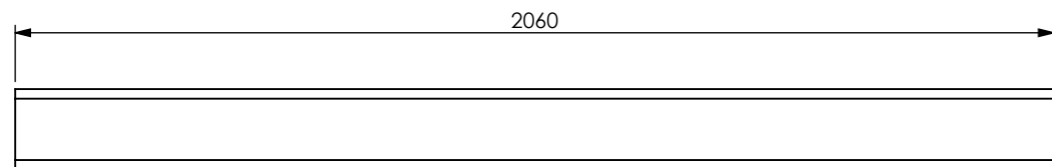
MATERIAL:

REVISION
1

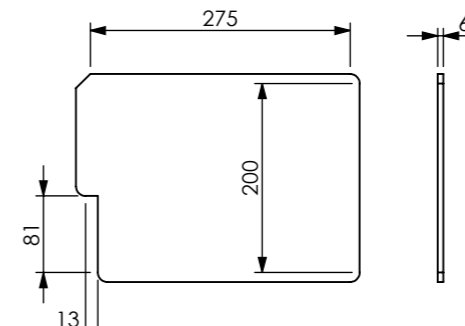
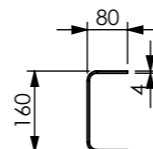
DO NOT SCALE FROM DRAWING. IF IN DOUBT: ASK

UNLESS OTHERWISE SPECIFIED, ALL DIMENSIONS ARE IN MILLIMETRES

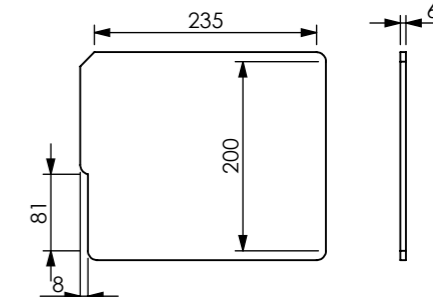
BEWARE OF 100mm MEASURING ERROR



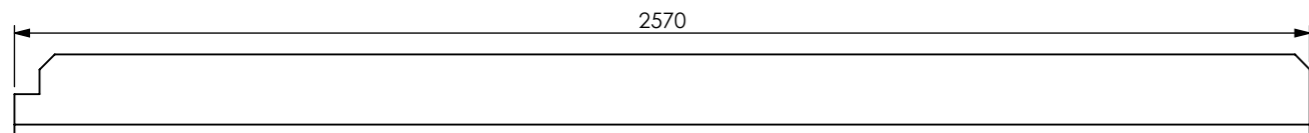
Part: T-STD-F039-AFDEskom Custom
TOP BRACE顶横梁支持件
Material: 4mm PLATE - Q235



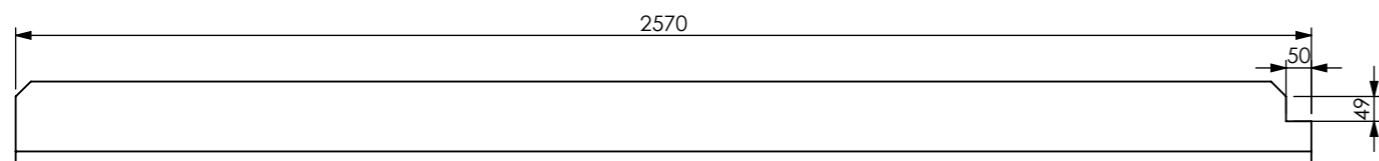
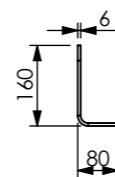
Part: T-68-P046-AFDEskom Custom
BASE BRACKET
Material: 6mm PLATE - Q235



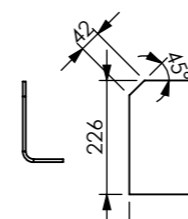
Part: T-68-P047-AFDEskom Custom
BASE BRACKET
Material: 6mm PLATE - Q235



Part: T-STD-B012-AFDEskom Custom
WALL STIFINER侧板加强筋
Material: 6mm PLATE - Q235
左侧板加强筋

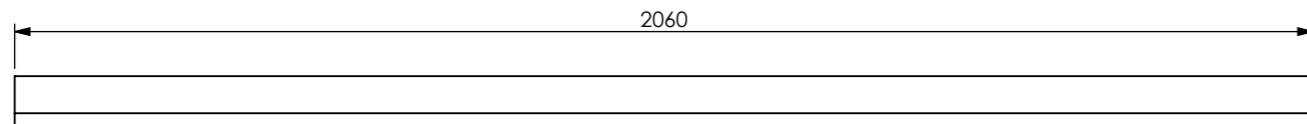


Part: T-STD-B012-AFDEskom Custom
WALL STIFINER侧板加强筋
Material: 6mm PLATE - Q235
右侧板加强筋

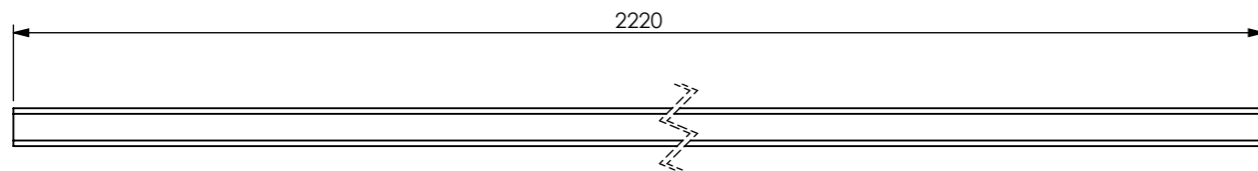
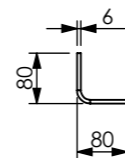


DOWN 90° R 15

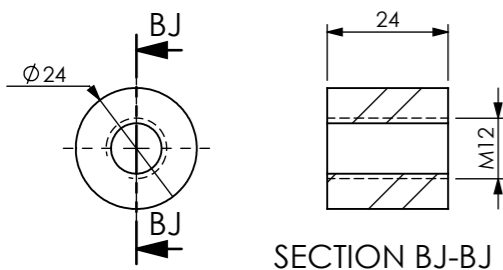
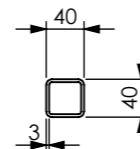
Part: T-STD-B012-AFDEskom Custom
WALL STIFINER侧板加强筋
Material: 6mm PLATE - Q235
右侧板加强筋



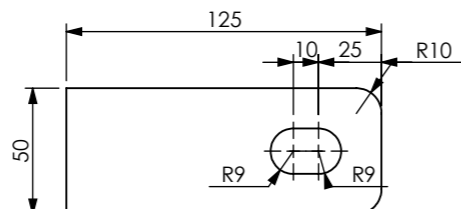
Part: T-STD-B011-AFDEskom Custom
INTERMEDIATE BRACE中层加强筋
Material: 6mm PLATE - Q235



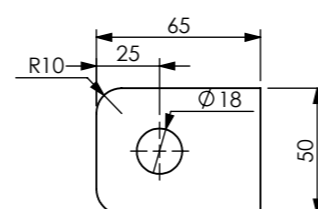
Part: T-STD-F040-AFDEskom Custom
100x50x6 RHS
Material: 40X40X3mm SHS - Q345



Part: T-STD-F011-AFDEskom Custom
EARTH PLUG接地
Material: 24mm A3



Part: T-STD-P079-AFDEskom Custom
Inlet pipe bracket-1
Material: 10mm PLATE - Q235



Part: T-STD-P079-AFDEskom Custom
Inlet pipe bracket-1
Material: 10mm PLATE - Q235

要求:

1. 所有等离子切割、火焰切割边打磨光滑
2. 按照图纸要求和质控部的检验文件保证剪板、切割和折弯角度的尺寸公差范围



COPYRIGHT © 2014
THE CONTENTS OF THIS DRAWING
REMAINS THE PROPERTY OF
GLOBAL ENGINEERING SOLUTIONS.
CONTENTS MAY NOT BE
COPIED OR REPRODUCED UNLESS
PREVIOUSLY AUTHORISED



Regus Shui On 2/F
Shui On Centre
6-8 Harbour Road
Wanchai Hong Kong

TITLE: TOP BRACE顶横梁支持件

DRAWN BY: S.lowrie

SHEET 9 OF 9

DATE: 4/12/2010

SCALE: N.T.S.

CUSTOMER: GES

TOLERANCE U.N.O.
0 = +1.0
0.0 = +0.4
0.00 = +0.1

DWG NO. / PART NO.
TOS-40FT-ESKOM

SHEET SIZE
A3

WEIGHT: 19.11 Kg

MATERIAL: 4mm PLATE - Q235

REVISION
1



TOS ISO Tank STD Specifications

OVERVIEW

Global Engineering Solutions are the market leader in innovation and design of Self Bunded Storage tanks for the mining and industrial industries, all tanks are UL and ULC independently certified to ensure every tank meets all expectations.

BENEFITS

- Self Bunded Design with 110 % Containment.
- Completely lockable design for security
- Simple site installation through minimal site works
- Great advertising options with decals.
- Single setup or tank farm setups available
- CSC Plated for ease of transport.
- 10,000 Safe Fill Level to 110,000 Safe Fill capacities.

FEATURES

- 1600 lpm 3 inch Failsafe overfill valve
- Internal room for mounting of control equipment
- Sloping Floor to maximize fuel discharge.
- Hot dipped galvanize parts on all tanks
- Stainless steel fasteners fitted
- Fill pipe fitted with ball valve, check valve and camloc fittings
- Emergency vents fitted as standard
- Audible Alarm supplied.
- Dispenser mounts supplied
- Electrical mounts fitted to back wall
- Decals Supplied as standard
- Ladder to front or right hand side
- Lockable doors to all sides
- Earth points to all sides
- 3 inch suction pipe with Ball valve fitted
- 3 x Turbine mounts fitted
- 700mm manway for ease of entry
- Static line mounts fitted for working at heights
- Cut outs STD to all sides for OPT mounting

Options

- Hose masts to left and right side.
- Lined internally.
- Flood Light mounts.
- Skid mounted pumping systems
- Turbines fitted
- Tank gauging.
- Spill containment drive over bunding
- Site safe rooms.



For further details, please contact GES or email info@globalengmfg.com